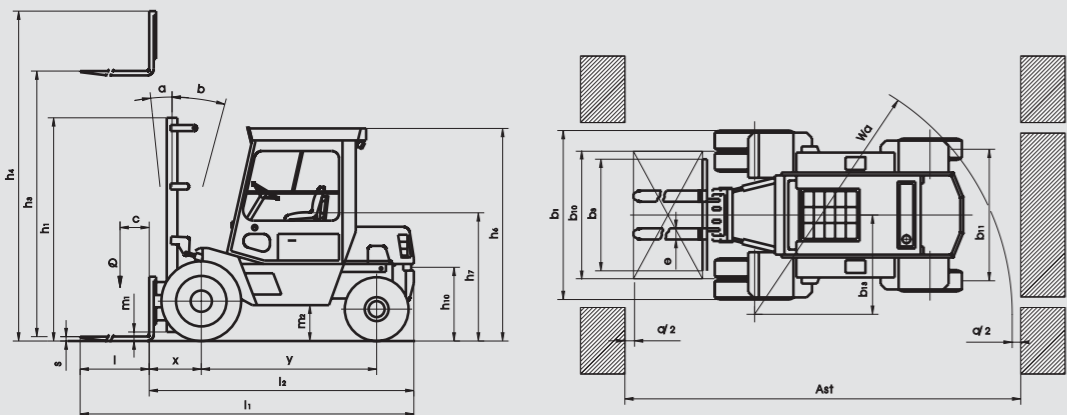


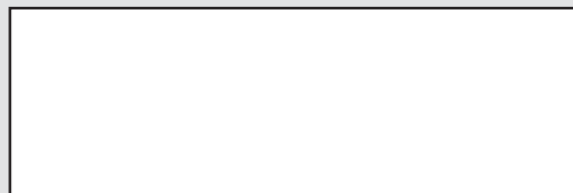
	DVHM 3522 TX	DVHM 3522 TXK	DV 35 T4	DV 35 T4K
POWER SOURCE	diesel	diesel	diesel	diesel
LIFTING CAPACITY Q (kg)	3500	3500	3500	3500
RADIUS OF CENTRE OF GRAVITY c (mm)	500	500	500	500
TOTAL WIDTH b1 (mm)	2066	2066	2066	2066
LENGTH WITHOUT FORK L2 (mm)	3125	3125	3125	3125
PROTECTIVE FRAME HEIGHT h6 (mm)	2480	2510	2480	2510
4x4 DRIVE	no	no	yes	yes

We will be glad to provide you with detailed technical parameters on request.



Your seller

**REGISTERED OFFICE  
OF THE COMPANY: ČZ a.s.**  
Sluneční náměstí č.p. 2540/5  
158 00 Praha 5  
[www.czas.cz](http://www.czas.cz)



**PRODUCTION PLANT:**  
ČZ a.s. divize Auto-DESTA  
Tovární 202  
386 15 Strakonice

Tel.: +420 800 184 523  
Fax: +420 383 343 043  
E-mail: [desta@czas.cz](mailto:desta@czas.cz)  
[www.cesta.cz](http://www.cesta.cz)



**DVHM 3522 TX**

The producer reserves the right of technical modifications



MODELE LINE

FRONT ALLTERRAIN TRUCKS

FRONT ALLTERRAIN TRUCKS

FRONT ALLTERRAIN TRUCKS

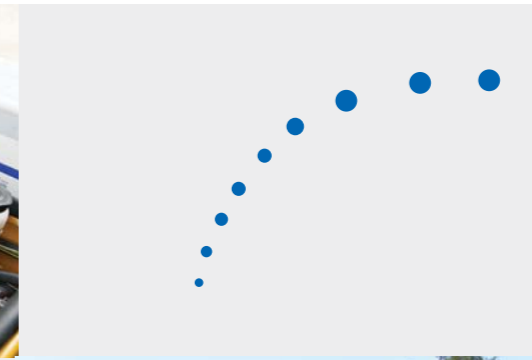


**FRONT  
ALLTERRAIN  
TRUCKS**

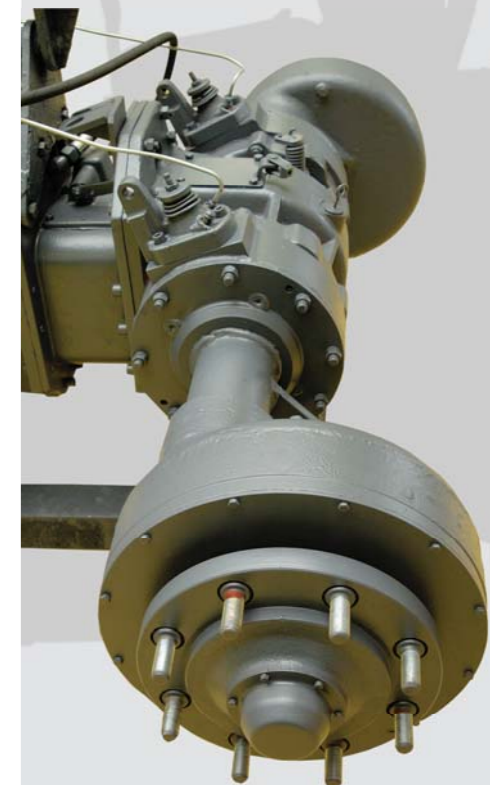
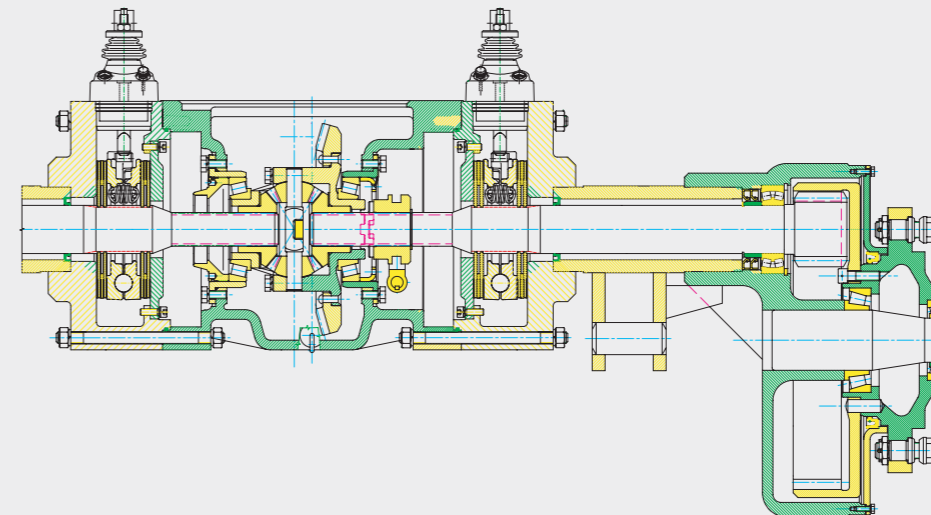
**MODEL LINE  
DVHM 3522 TX (TXK) DV 35 T4 (T4K)**



The front-loading DVHM 3522 TX, DVHM 3522 TXK, DV 35 T4 and DV 35 T4K high-lift trucks serve for loading, unloading and transport of goods and material, particularly on pallets. The trucks are intended particularly for operation in field conditions, where common-design trucks cannot be utilized. The DV 35 T4 and DV 35 T4K trucks have an all-wheel drive. The steering axle wheels drive serves as a recovery drive for operation in heavy field conditions. All the off-road Desta trucks have an extraordinarily small turning radius for safe handling in limited spaces. The trucks are approved for operation on roads.



The clutchable KANZAKI rear axle drive ensures an easy recovery on soft ground or in winter months for the DV 35 T series trucks.



**Operating advantages:**

**Optional features:**

- *Wider load-bearing plate of up to 2000 mm*
- *4x4 drive with a KANZAKI rear axle*
- *Air conditioning*
- *Heated cabin*
- *KNOTT plate brakes*
- *Possibility of an easy connection of all additional devices*
- *Optional catalytic converter*
- *Colour design at the Client's wish*

- *High ground clearance*
- *Standard outfit with a differential lock*
- *Electro-hydraulically controlled gearbox*
- *Contemporary environmentally-friendly engines*
- *Lifting device for up to 8m*



The possibility to use the quality renowned KNOTT plate brakes offers an option to increase the braking effect and its adjustment acc. to requirements of the most demanding clients and their facilities. The brakes have a permanent oil bath, which provides them with a long operating life.